

A laboratory seed treater designed for complex treatments to meet high demands regarding application quality, reliability, operator safety and economy.

Suited for use in the laboratory on a wide variety of applications.

Equipped to meet your needs for dressing, incrustation, coating and pelleting.

The R150 is ideally suited to defining production parameters prior to production.

NoroGard westrup R150 Laboratory Seed Treater



BATCH SIZE

40-450 ml

R150 is a laboratory seed treater designed for treating a wide range of seeds with a wide range of products, formulated as liquids, powders, flowables, slurries, gels, etc. It treats seed batches up to 450 ml.

NoroGard  westrup

R150 Laboratory Seed Treater



The R150 is equipped with a variable speed on rotor and spinning disc as standard.

The coated product is discharged by inverting the mixing chamber.

R150

R150 is a laboratory seed treater designed for treating a wide range of seeds with a range of products, formulated as liquids, powders, flowables, slurries, gels, etc. It treats in batches up to 450 ml.

The application time is manually operated and varies depending on the amount of product that is to be applied, and the type of seed to be treated.

The R150 is provided with features to make the cleaning process more effortless. The use of air pressure is optional for each use, based on the type of seed treated at the time.

The R150 is approved for the European CE workers safety standard.

For more information, please contact your local sales representative.

NOROGARD · WESTRUP

NoroGard was founded in Sweden where the development and production of high quality Seed Treatment Equipment began in 1965. In 2022 the production of Seed Treatment Equipment was taken over by Westrup A/S in Denmark under the NoroGard · Westrup fusion.

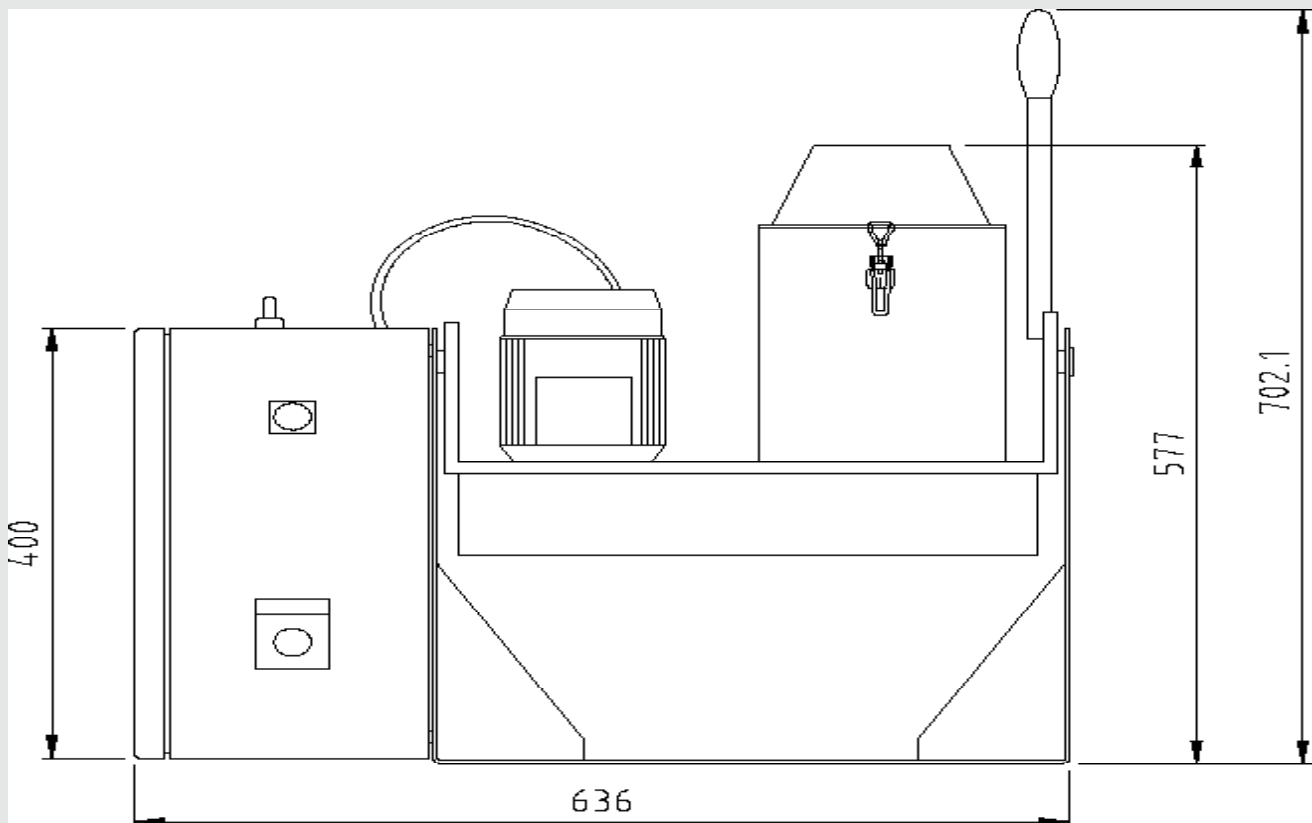
The NoroGard · Westrup seed treaters are designed to be extremely reliable and built to last for more than 20 years. The NoroGard dosage systems are unique and equipped with pumps and flow meters of our own design, in order to offer you the best possible application quality and reliability.

Personal service and customization is key. NoroGard · Westrup delivers sophisticated Seed Treaters worldwide with personal support. The seed treaters are built to last. Should a standstill occur in spite, we always keep your spareparts in stock.

TECHNICAL SPECIFICATION

Power requirement	0,37 kW	Weight	50 kg
Compressed air [at 5,5 bar]	20 l/min	Width	750 mm
Capacity [batch volume]	40-450 ml	Depth	420 mm
RPM		Height	800 mm
Rotor Speed	100-500 rpm	Warranties	Orgalime S2012
Spinning Disc	500-2500 rpm		
Outlet	Manually operated		

R150 LABORATORY SEED TREATER · MEASUREMENTS





NoroGard  **westrup**

Westrup A/S,
DK-4200 Slagelse, Denmark
+45 58 52 25 64
info@westrup.com
www.westrup.com